

REV	DESCRIPTION	DESIGN	DATE
A	NEW RELEASE	Lingqing	2021/09/26

Circuits	Dimensions (mm)	
	A	B
02	1.25	5.85
03	2.50	7.10
04	3.75	8.35
05	5.00	9.60
06	6.25	10.85
07	7.50	12.10
08	8.75	13.35
09	10.00	14.60
10	11.25	15.85
11	12.50	17.10
12	13.75	18.35
13	15.00	19.60
14	16.25	20.85
15	17.50	22.10

**Specifications:**  
 Contact resistance:  $\leq 20m\Omega$   
 Insulation resistance:  $\geq 100M\Omega$   
 Rated voltage: 50V AC DC  
 Rated current: 1.0A AC DC  
 Withstand Voltage: 500V AC/minute  
 Temperature Range:  $-40^{\circ}C \sim +105^{\circ}C$   
 Housing: PA9T UL94V-0, Natural (Beige)  
 Contacts: Phosphor Bronze/Matte Sn  
 Solder Tabs: Brass/Matte Sn

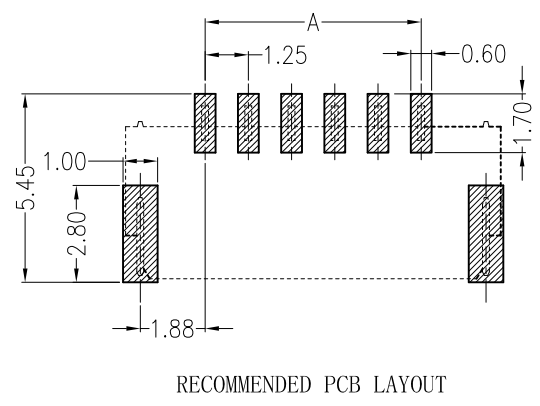
**ORDER INFORMATION:**

**A12512AWR-\*\*-D2MB1-R**

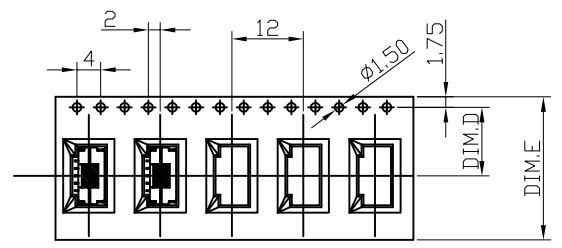
PART No. \_\_\_\_\_  
 No.OF CIRCUITS: 02~15  
 PLASTIC MATERIAL: D2M=PA9T (BEIGE)

PACKAGING: R=REEL  
 Metal code: 1=Phosphor Bronze  
 PLATING: B=Matte Sn

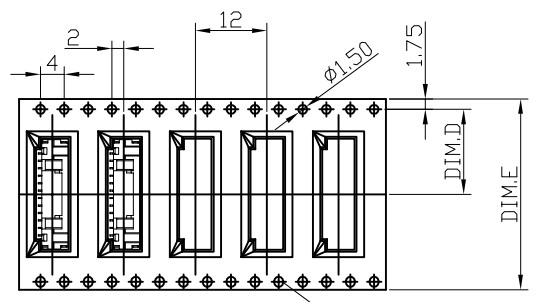
<b>JKUN</b> 温州健坤接插件有限公司 WENZHOU JKUN CONNECTOR CO.,LTD.		TITLE: 1.25mmPITCH 90°WAFER SMT TYPE	
GENERAL TOLERANCE		USE: CUSTOMER	PART NO.:
X. $\pm 0.50$	X. $\pm 5^{\circ}$	APPD: Shaojinghe	A12512AWR-**-D2MB1-R
X.X $\pm 0.30$	X.X $\pm 2^{\circ}$	CHKD: Fangsongle	DWG NO.:
X.XX $\pm 0.20$	X.XX $\pm 1^{\circ}$	DR: Zenglingqing	JKUN-GCKH-0934
UNITS: mm		SCALE 1 : 1	SHEET 1 / 1



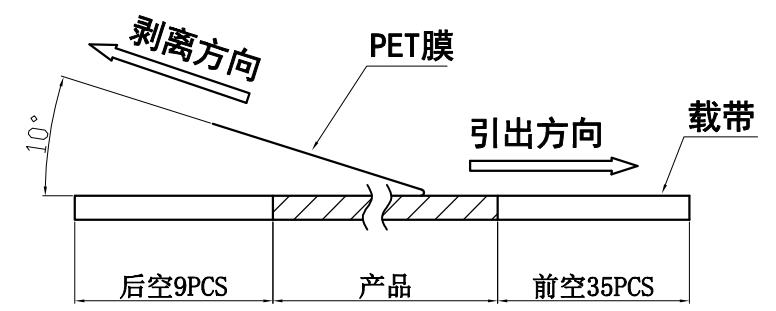
REV	ECN No.	DESCRIPTION	DESIGN	DATE
A		Release	程永海	2023.2.15



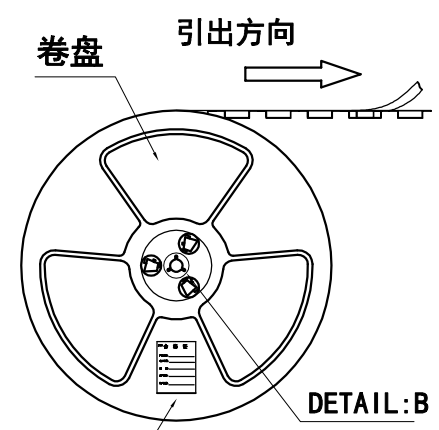
02~09 CONTACTS



10~15 CONTACTS  
产品引出方向

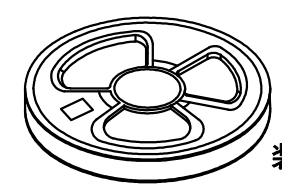
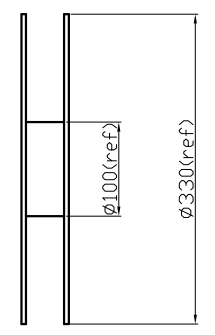


(PET膜剥离示意图)

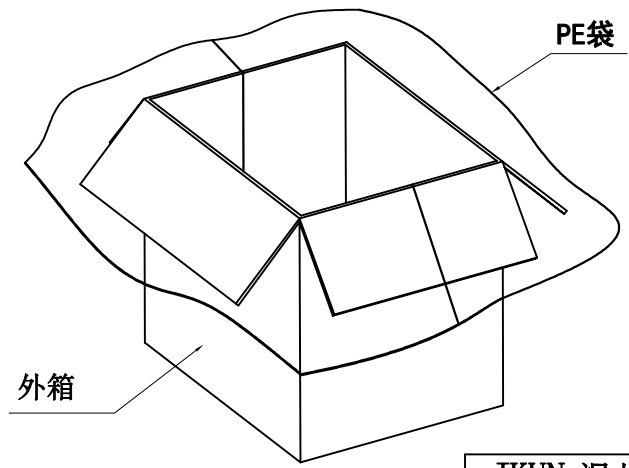


合格证

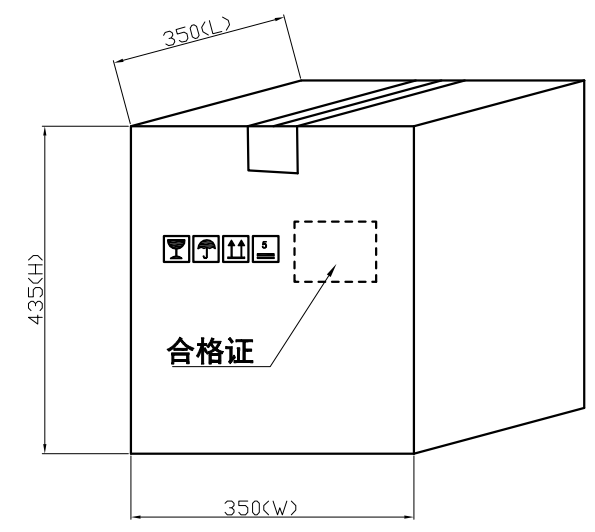
DETAIL:B



装\*盘 (参考列表一)



外箱



合格证

列表一

Circuits	DIM. D	DIM. E	Q'ty/Reel	Packing (Reel/Caton)
02-03 PIN	7.5	16	900PCS	20/Reel
04-09 PIN	11.5	24	900PCS	15/Reel
10-14 PIN	14.2	32	900PCS	11/Reel
15 PIN	20.2	44	900PCS	8/Reel

包装说明:

- 把成品包入卷盘中，每盘装900PCS，卷盘上贴上合格证，将装好产品的卷盘放进外箱中，外箱内先套一个大PE袋，外箱上贴贴上合格证。
- 所有材料有害物控制需符合RoHS标准。

JKUN 温州健坤接插件有限公司 WENZHOU JKUN CONNECTOR CO., LTD.			TITLE: A12512AWR	
X.± 0.5	X.±*	USE: MANUFACTURE	PART NO.:	
.X± 0.3	.X±*	APPD: 朱志刚	A12512AWR包装规范	
.XX±0.25	.XX±*	CHKD: 蒋建银	DWG NO.:	
--	--	DR: 程永海	JKUN-GCKH-0934	
UNITS: mm		SCALE 1 : 1	SHEET 1 / 1	

REV	DESCRIPTION	DESIGN	DATE
A	NEW RELEASE	Lingqing	2021/09/26

Circuits	Dimensions (mm)	
	A	B
02	1.25	5.85
03	2.50	7.10
04	3.75	8.35
05	5.00	9.60
06	6.25	10.85
07	7.50	12.10
08	8.75	13.35
09	10.00	14.60
10	11.25	15.85
11	12.50	17.10
12	13.75	18.35
13	15.00	19.60
14	16.25	20.85
15	17.50	22.10

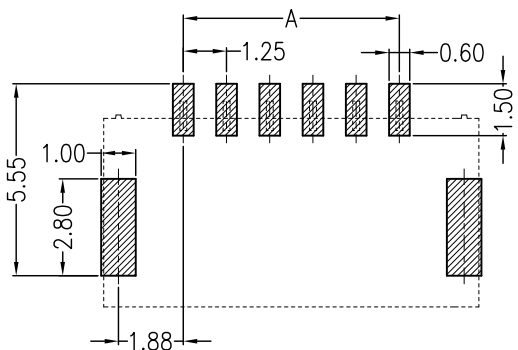
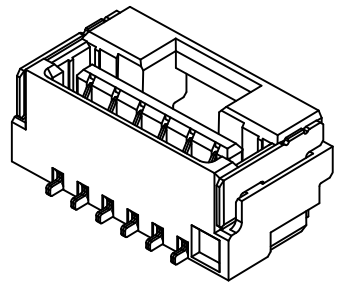
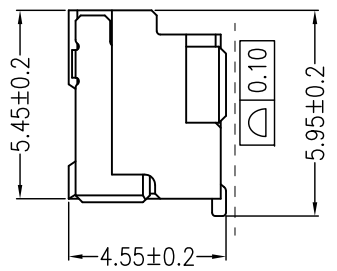
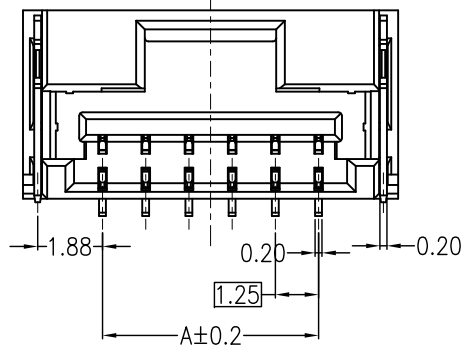
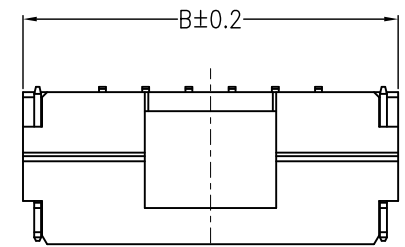
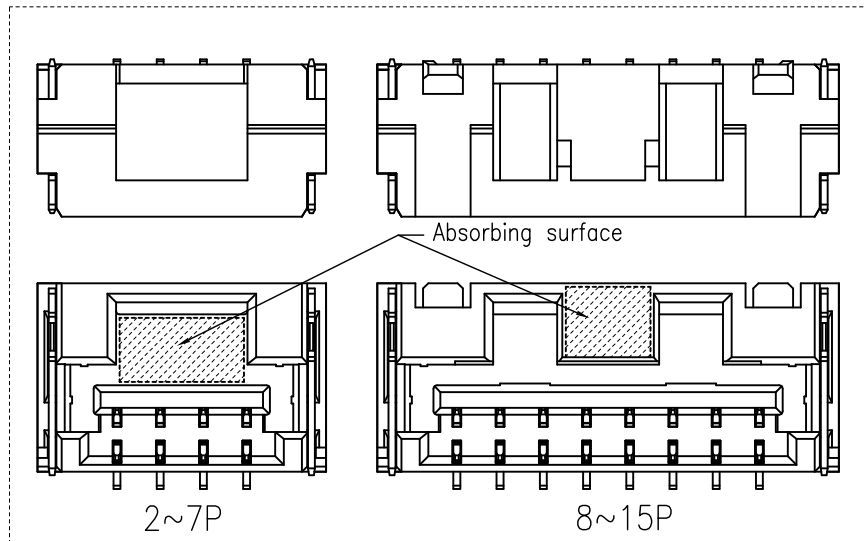
**Specifications:**  
 Contact resistance:  $\leq 20m\Omega$   
 Insulation resistance:  $\geq 100M\Omega$   
 Rated voltage: 50V AC DC  
 Rated current: 1.0A AC DC  
 Withstand Voltage: 500V AC/minute  
 Temperature Range:  $-40^{\circ}C \sim +105^{\circ}C$   
 Housing: PA9T UL94V-0, Natural (Beige)  
 Contacts: Phosphor Bronze/Matte Sn  
 Solder Tabs: Brass/Matte Sn

**ORDER INFORMATION:**

**A12512AWV-\*\*-D2MB1-R**

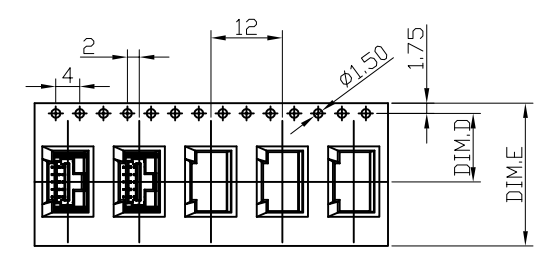
PART No.:		PACKAGING:
No.OF CIRCUITS:		R=REEL
PLASTIC MATERIAL:		Metal code:
D2M=PA9T (BEIGE)		1=Phosphor Bronze
		PLATING:
		B=Matte Sn

<b>JKUN</b> 温州健坤接插件有限公司 WENZHOU JKUN CONNECTOR CO.,LTD.		TITLE: 1.25mmPITCH 180°WAFER SMT TYPE	
GENERAL TOLERANCE		USE:	PART NO.:
X. $\pm 0.50$	X. $\pm 5^{\circ}$	CUSTOMER	A12512AWV-**-D2MB1-R
X.X $\pm 0.30$	X.X $\pm 2^{\circ}$	APPD: Shaojinghe	DWG NO.:
X.XX $\pm 0.20$	X.XX $\pm 1^{\circ}$	CHKD: Fangsongle	JKUN-GCKH-0935
		UNITS: mm	SCALE
		DR: Zenglingqing	1 : 1
			SHEET 1 / 1

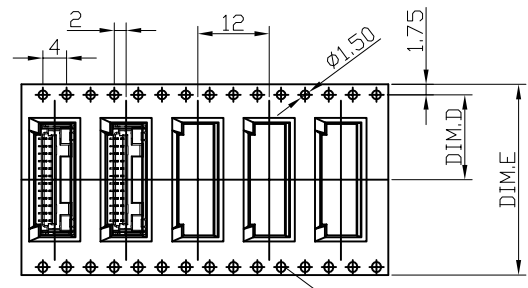


RECOMMENDED PCB LAYOUT

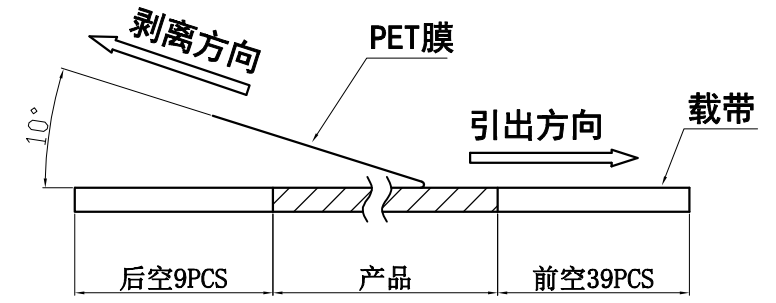
REV	ECN No.	DESCRIPTION	DESIGN	DATE
A		Release	程永海	2023.2.15



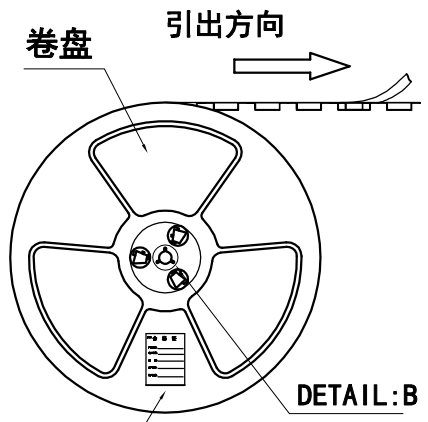
02~09 CONTACTS



10~15 CONTACTS

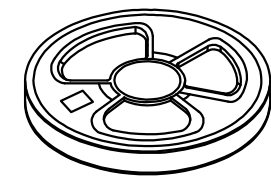
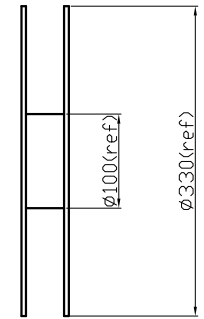


(PET膜剥离示意图)

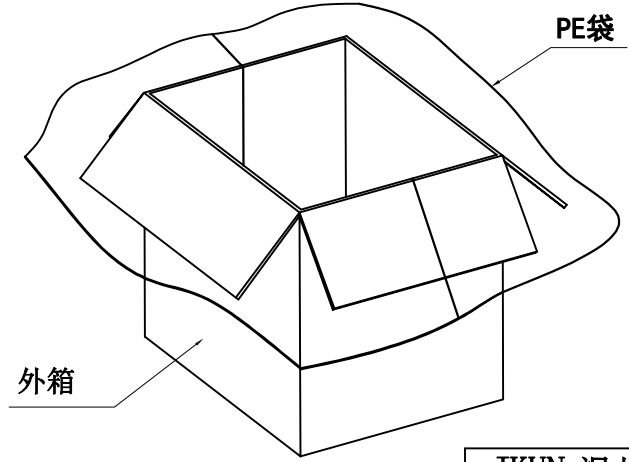


合格证

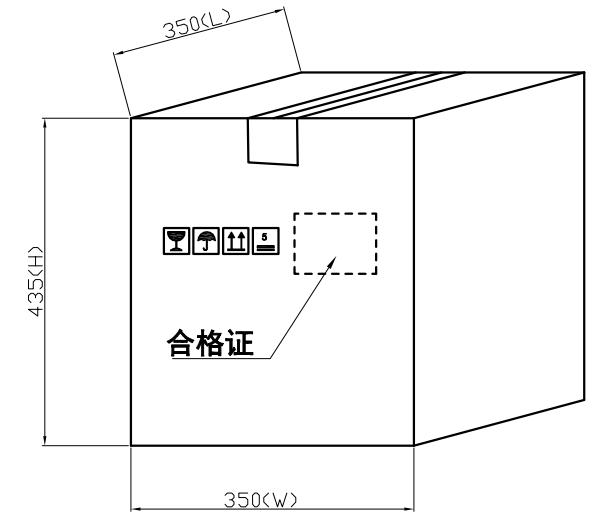
DETAIL:B



装\*盘(参考列表一)



外箱



列表一

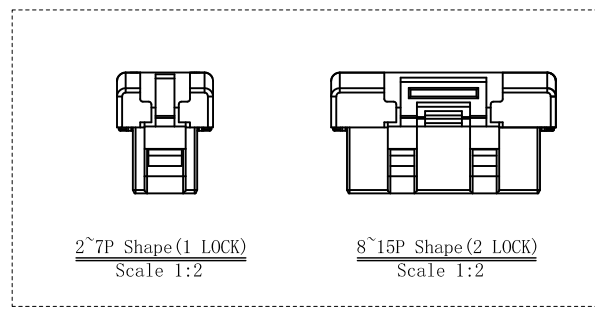
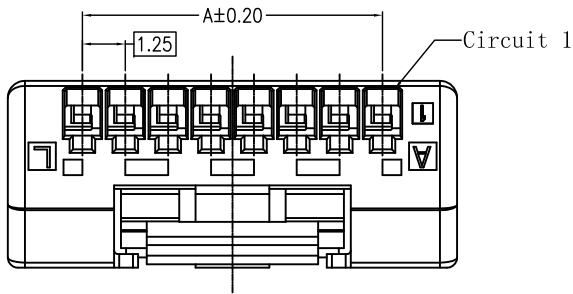
Circuits	DIM. D	DIM. E	Q'ty/Reel	Packing (Reel/Caton)
02-03 PIN	7.5	16	1000PCS	20/Reel
04-09 PIN	11.5	24	1000PCS	15/Reel
10-14 PIN	14.2	32	1000PCS	11/Reel
15 PIN	20.2	44	1000PCS	8/Reel

包装说明:

- 把成品包入卷盘中, 每盘装1000PCS, 卷盘上贴上合格证, 将装好产品的卷盘放进外箱中, 外箱内先套一个大PE袋, 外箱上贴贴上合格证。
- 所有材料有害物控制需符合RoHS标准。

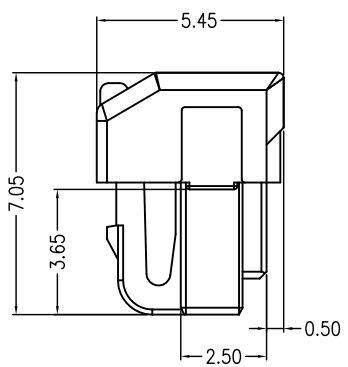
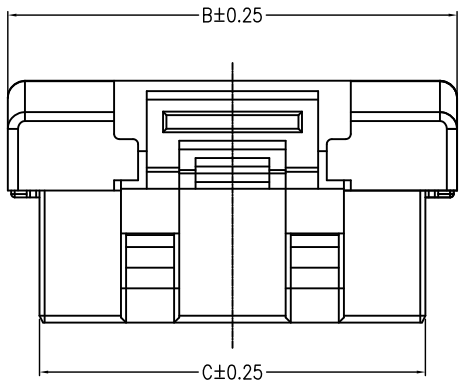
JKUN 温州健坤接插件有限公司 WENZHOU JKUN CONNECTOR CO., LTD.			TITLE: A12512AWV	
X.± 0.5	X.±'	USE: MANUFACTURE	PART NO.:	
.X± 0.3	.X±'	APPD: 朱志刚	A12512AWV包装规范	
.XX±0.25	.XX±'	CHKD: 蒋建银	DWG NO.:	
--	--	DR: 程永海	JKUN-GCKH-0935	
⊕	◁	UNITS: mm	SCALE 1 : 1	SHEET 1 / 1

REV	DESCRIPTION	DESIGN	DATE
A	NEW RELEASE	Lingqing	2022/09/12

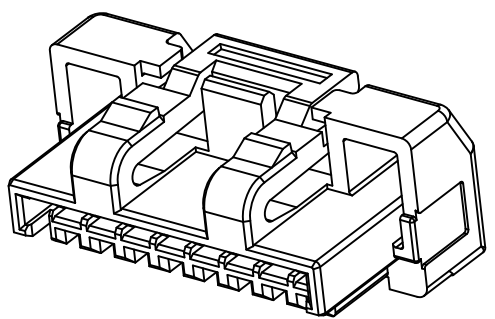
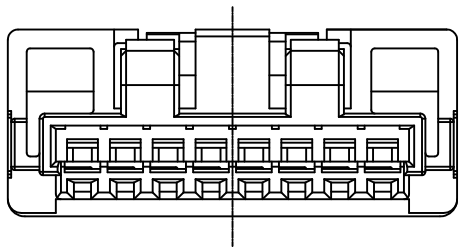


Specifications:

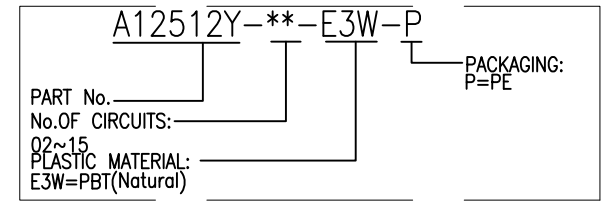
Contact resistance:  $\leq 20m\Omega$   
 Insulation resistance:  $\geq 100M\Omega$   
 Rated voltage: 50V AC DC  
 Rated current: 1.0A AC DC  
 Withstand Voltage: 500V AC/minute  
 Temperature Range:  $-40^{\circ}C \sim +105^{\circ}C$   
 Housing: PBT UL94V-0, Natural



PIN.	A	B	C	PIN.	A	B	C
2pin	1.25	5.60	3.75	9pin	10.00	14.35	12.50
3pin	2.50	6.85	5.00	10pin	11.25	15.60	13.75
4pin	3.75	8.10	6.25	11pin	12.50	16.85	15.00
5pin	5.00	9.35	7.50	12pin	13.75	18.10	16.25
6pin	6.25	10.60	8.75	13pin	15.00	19.35	17.50
7pin	7.50	11.85	10.00	14pin	16.25	20.60	18.75
8pin	8.75	13.10	11.25	15pin	17.50	21.85	20.00

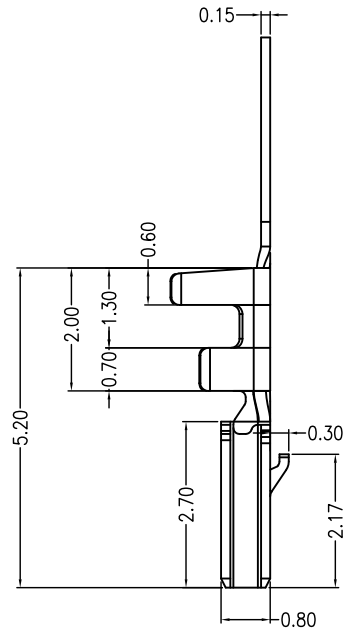
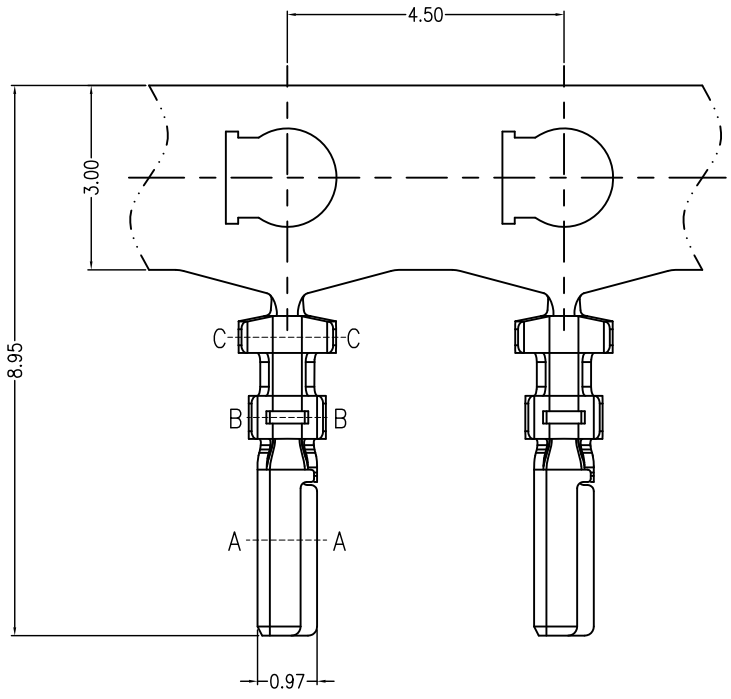


ORDER INFORMATION:



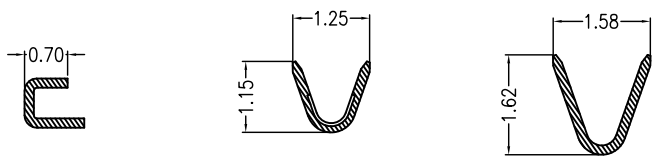
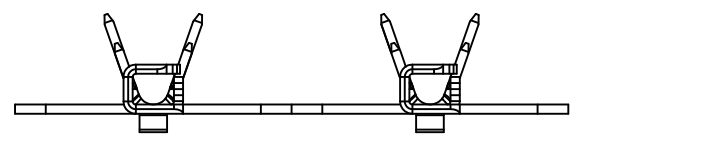
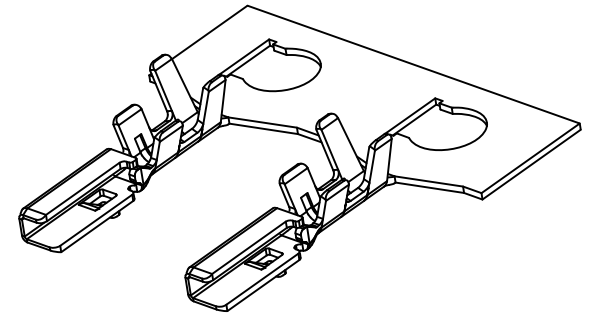
<b>JKUN</b> 温州健坤接插件有限公司 WENZHOU JKUN CONNECTOR CO.,LTD.			TITLE: 1.25mm PITCH Housing	
GENERAL TOLERANCE		USE:	PART NO.:	
X. ±0.50	X. ±5'	CUSTOMER	A12512Y-**-E3W-P	
X.X ±0.30	X.X ±2'	APPD: Zhuzhigang	DWG NO.:	
X.XX ±0.20	X.XX ±1'	CHKD: Zenglingqing	JKUN-GCKH-	
UNITS: mm		DR: Jiangjianying	SCALE 1 : 1	SHEET 1 / 1

REV	DESCRIPTION	DESIGN	DATE
A	NEW RELEASE	Lingqing	2022/09/12



Specifications:

Contact resistance:  $\leq 20\text{m}\Omega$   
 Insulation resistance:  $\geq 100\text{M}\Omega$   
 Rated voltage: 50V AC DC  
 Rated current: 1.0A AC DC  
 Withstand Voltage: 500V AC/minute  
 Temperature Range:  $-40^{\circ}\text{C} \sim +105^{\circ}\text{C}$   
 Contacts: Phosphor Bronze/Sn-plated



SECTION A-A      SECTION B-B      SECTION C-C

Ordering Information & Specification:

Part No	Wire Range	Insulation O.D.	Material	Finish
A12512T-01端子	AWG #26~#28	1.00mm(max)	Phosphor bronze	Tin-plated

<b>JKUN</b> 温州健坤接插件有限公司 WENZHOU JKUN CONNECTOR CO.,LTD.		TITLE: MX 1.25 Terminal	
GENERAL TOLERANCE		USE: CUSTOMER	PART NO.:
X. $\pm 0.50$	X. $\pm 5^{\circ}$	APPD: Zhuzhigang	A12512T-01端子
X.X $\pm 0.30$	X.X $\pm 2^{\circ}$	CHKD: Zenglingqing	DWG NO.:
X.XX $\pm 0.20$	X.XX $\pm 1^{\circ}$	DR: Jiangjianying	JKUN-GCDZ-
UNITS: mm		SCALE 1 : 1	SHEET 1 / 1